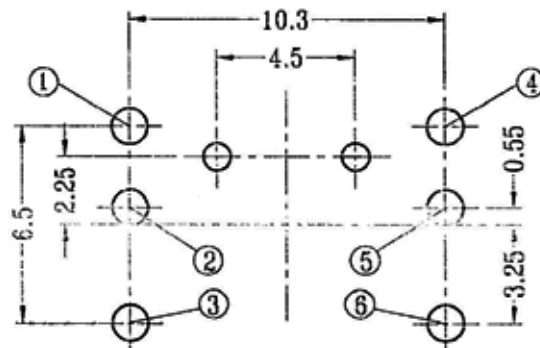
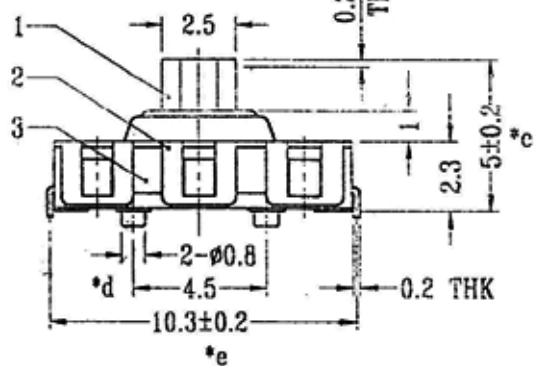
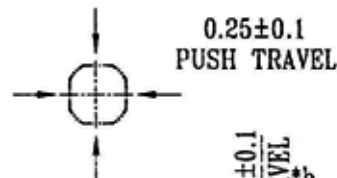
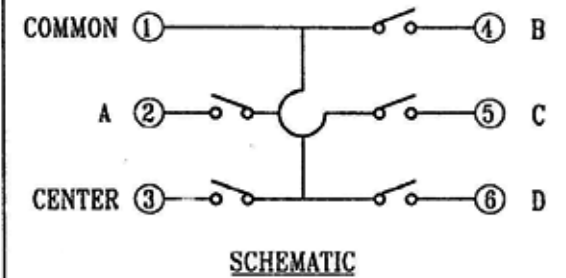
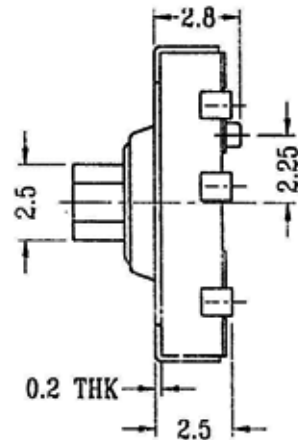
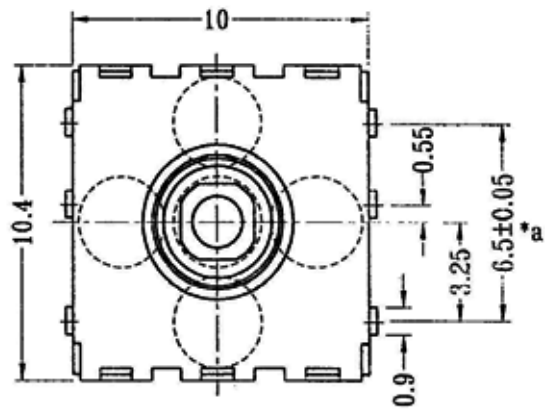


CAD FILE:



P.C.B LAYOUT

OPERATING FORCE:
CENTRAL:350±150gf
LOCAL:350±150gf

注:*表示關鍵尺寸(5個).

NO.	PARTS	MATERIALS	Q'TY	FINISH	TOLERANCE UNLESS SPECIFIED	ISSUE	DATE	DESCRIPTIONS OF REVISION	APPD.
8									
7									
6	ADHESIVE TAPE	PET	1	YELLOW	WITHIN 1.5mm : ±0.1mm				
5	HOUSING	NYLON+F.G	1	BLACK	OVER 1.5mm : ±0.2mm				
4	CONTACT	SUS	6	Ag CLAD					
3	CASE	NYLON+F.G+94V0/BRASS STRIP	1	BLACK/Ag PLATED OVER NI PLATED					
2	COVER	SUS	1	WASHING					
1	KNOB	NYLON+F.G	1	BLACK					
					TITLE : MICRO TACT SWITCH		UNIT : mm	DRWG NO. : SF-DR-MT003A-00	
					MODEL: MT-C03A		SCALE: 4 : 1	DFN : 蔡滿根 24-May-2005	
					APPD. : 蔡滿根 24-May-2005				
					淮洋有限公司 HUI YANG CO.,LTD.				
					APPD. : 蔡滿根 24-May-2005				